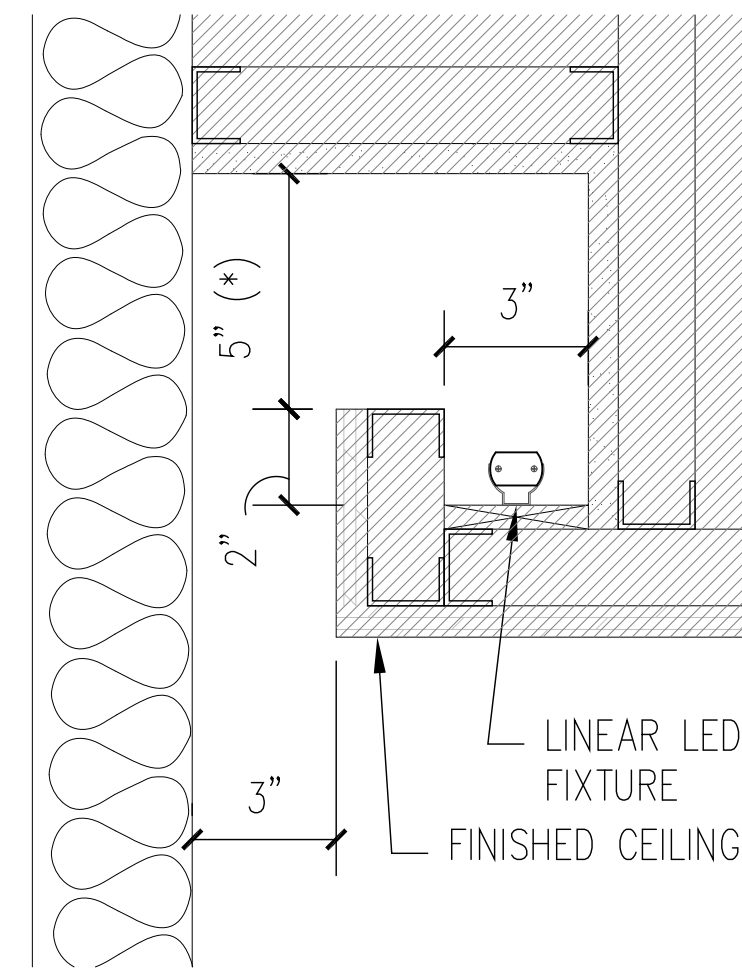
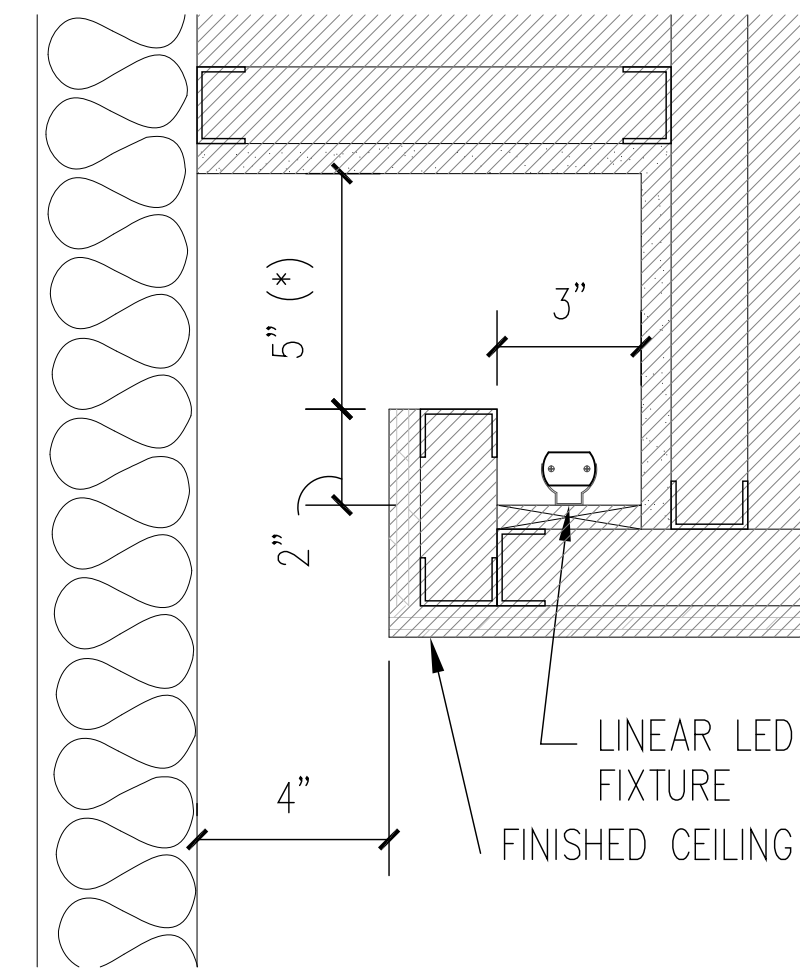


SCALE: AS NOTED

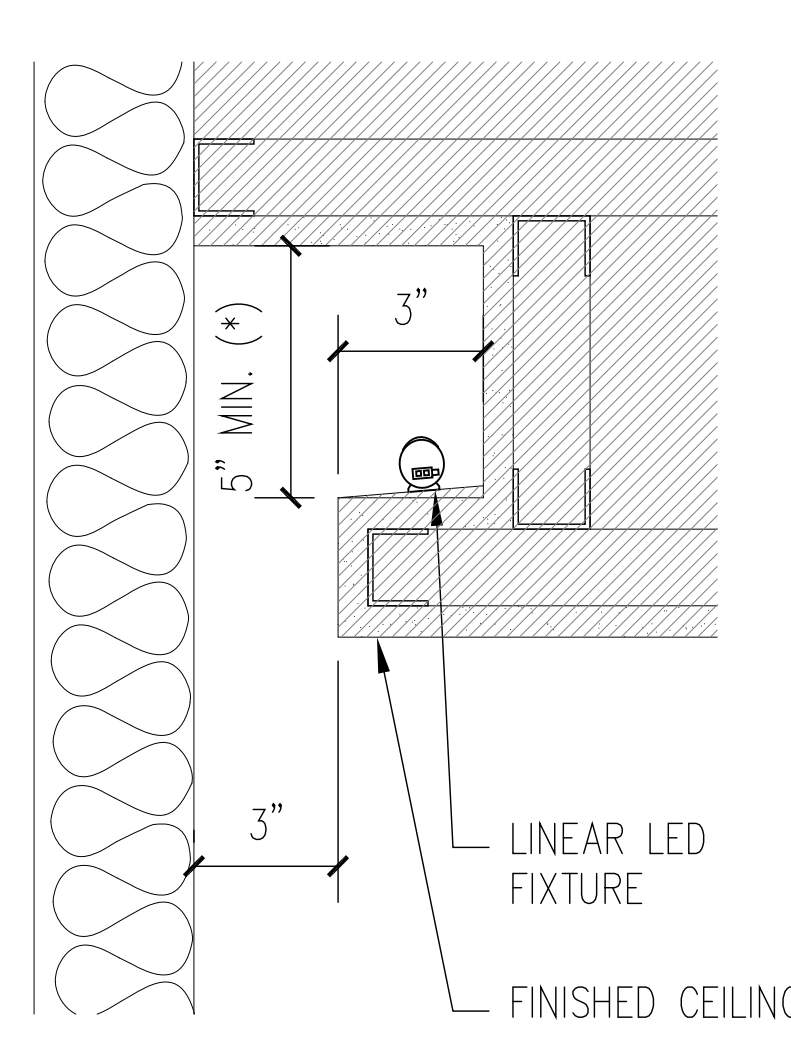
SMITH RESIDENCE



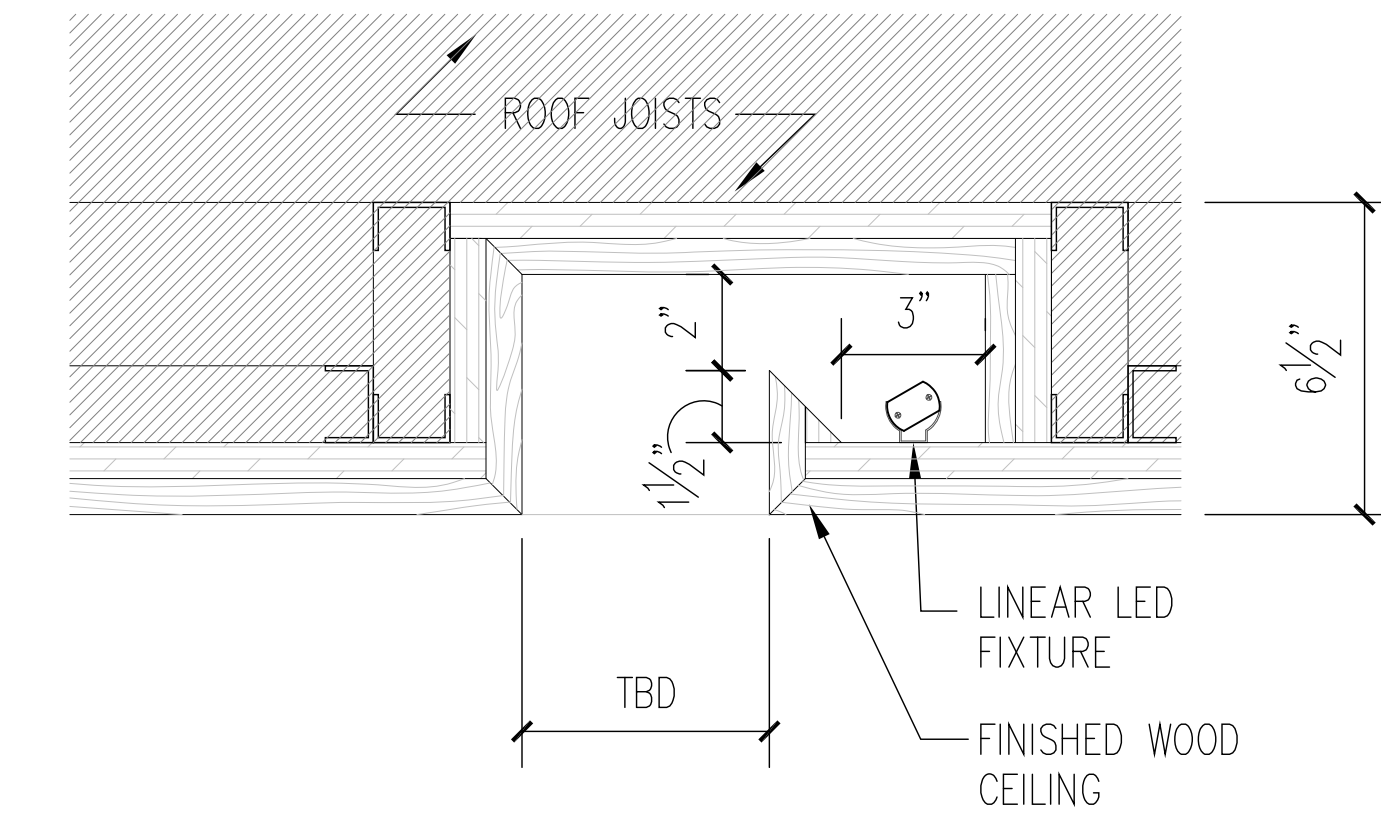
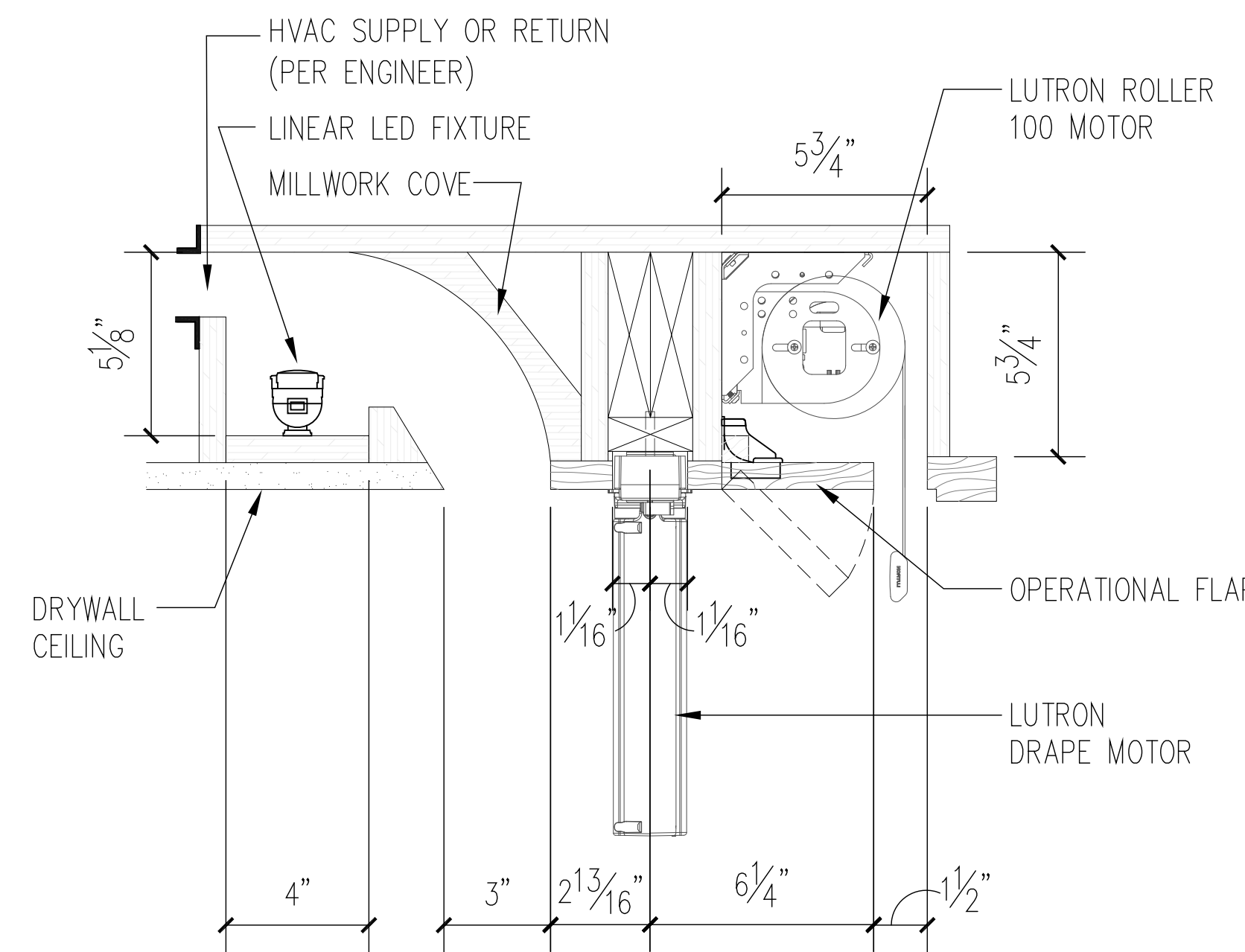
(\* MAXIMIZED IS BEST)



(\* MAXIMIZED IS BEST)



(\* MAXIMIZED IS BEST)



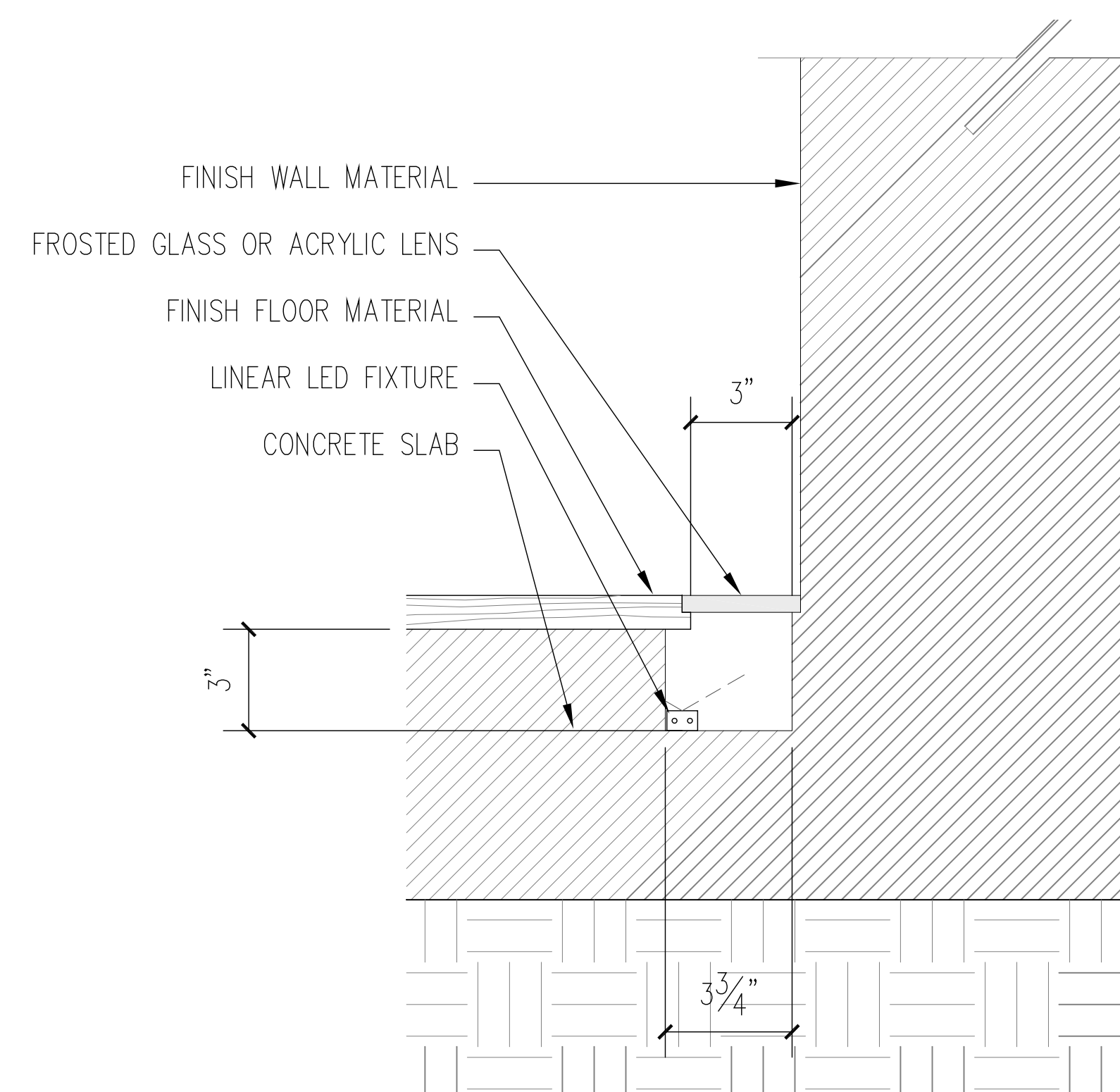
**1** TYP. LIGHT POCKET  
SCALE: 3" = 1'-0"

**2** LIGHT POCKET @ VANITIES  
SCALE: 3" = 1'-0"  
@ ALL VANITY LIGHT POCKETS

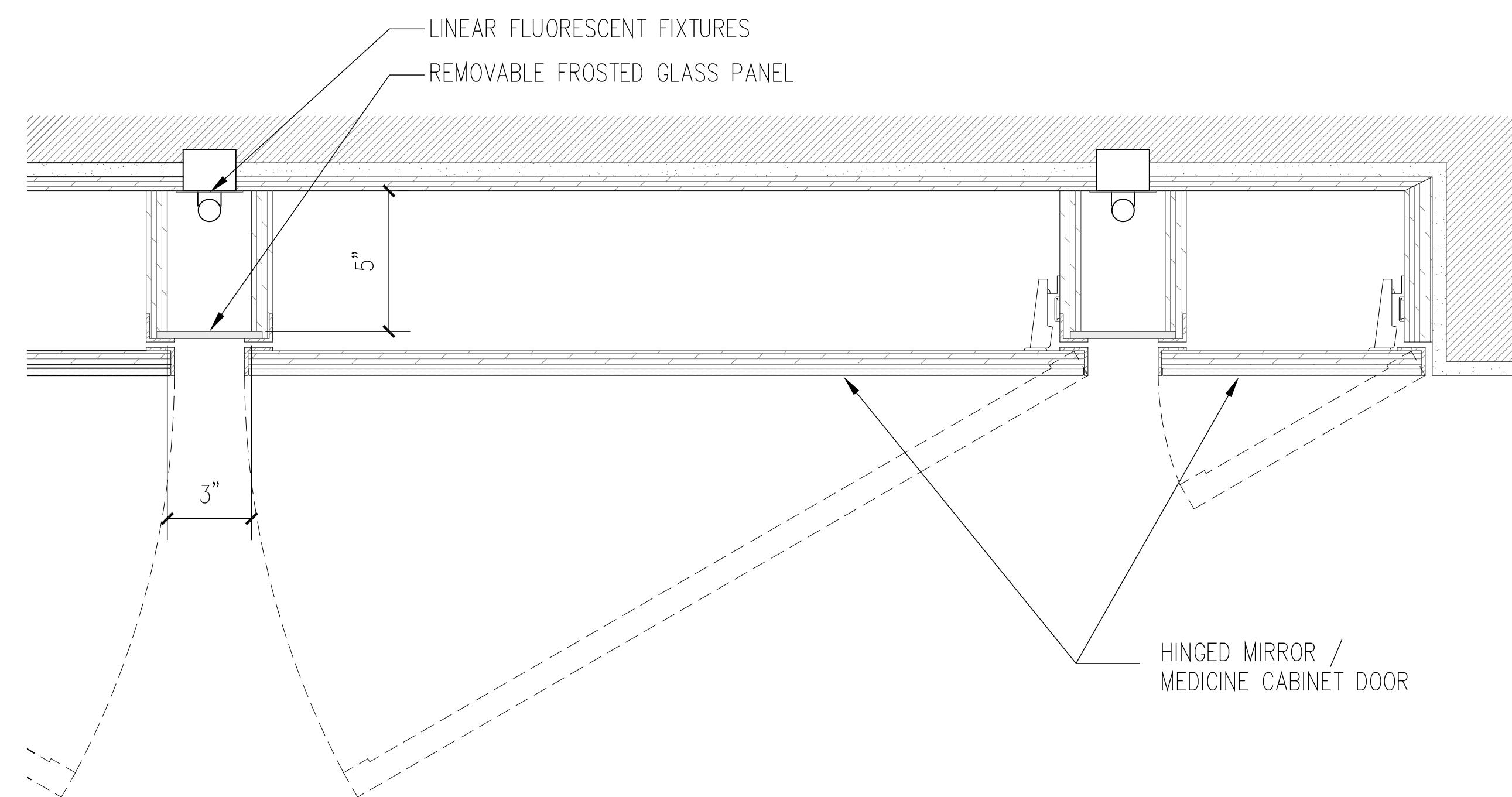
**3** WET LOCATION LIGHT POCKET  
SCALE: 3" = 1'-0"  
@ SHOWERS

**4** PERIMETER LIGHT / SHADE / DRAPE POCKET  
SCALE: 3" = 1'-0"

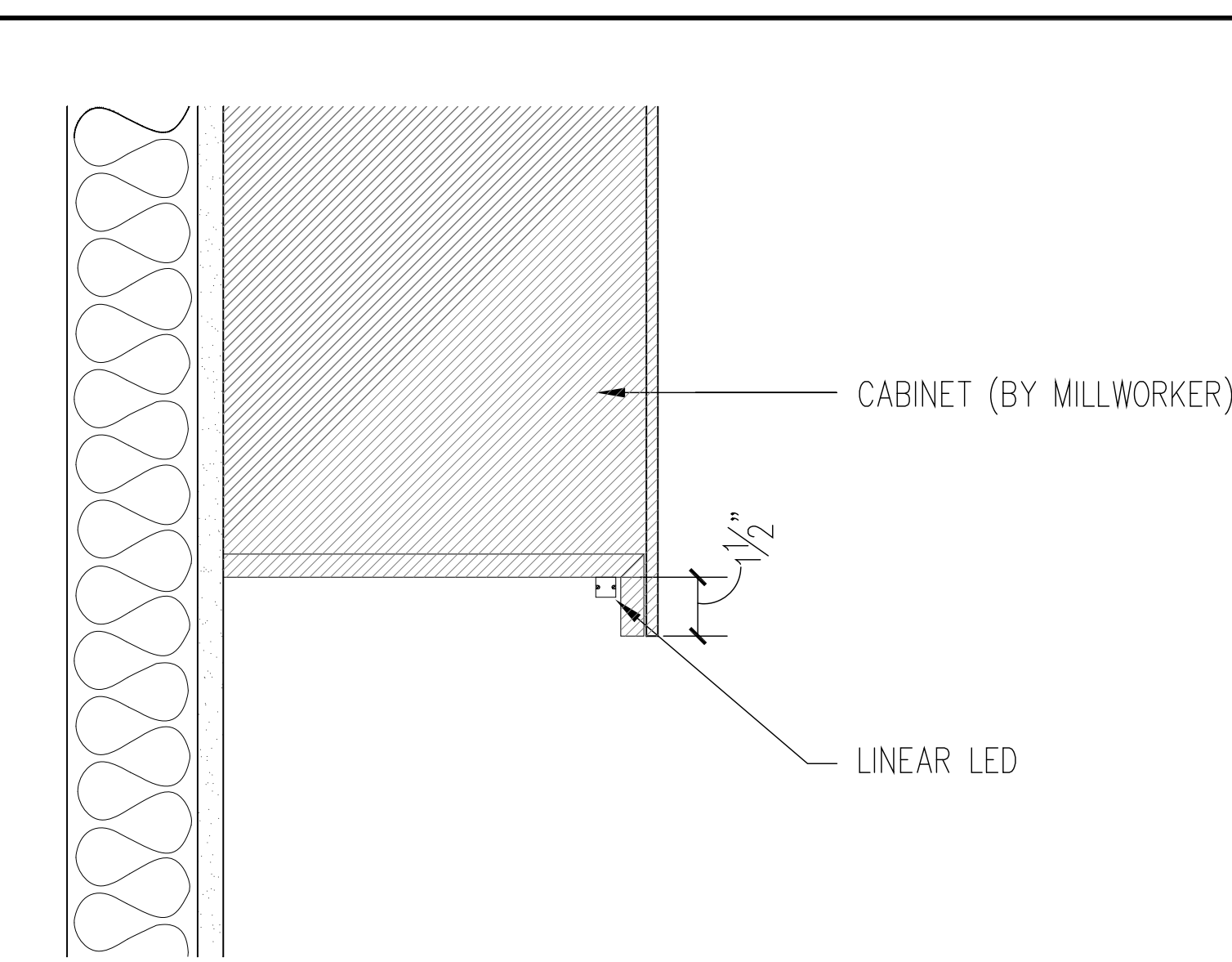
**5** LIGHT TROUGH DETAIL  
SCALE: 3" = 1'-0"  
@ CAR DRIVE, POOL TERRACE



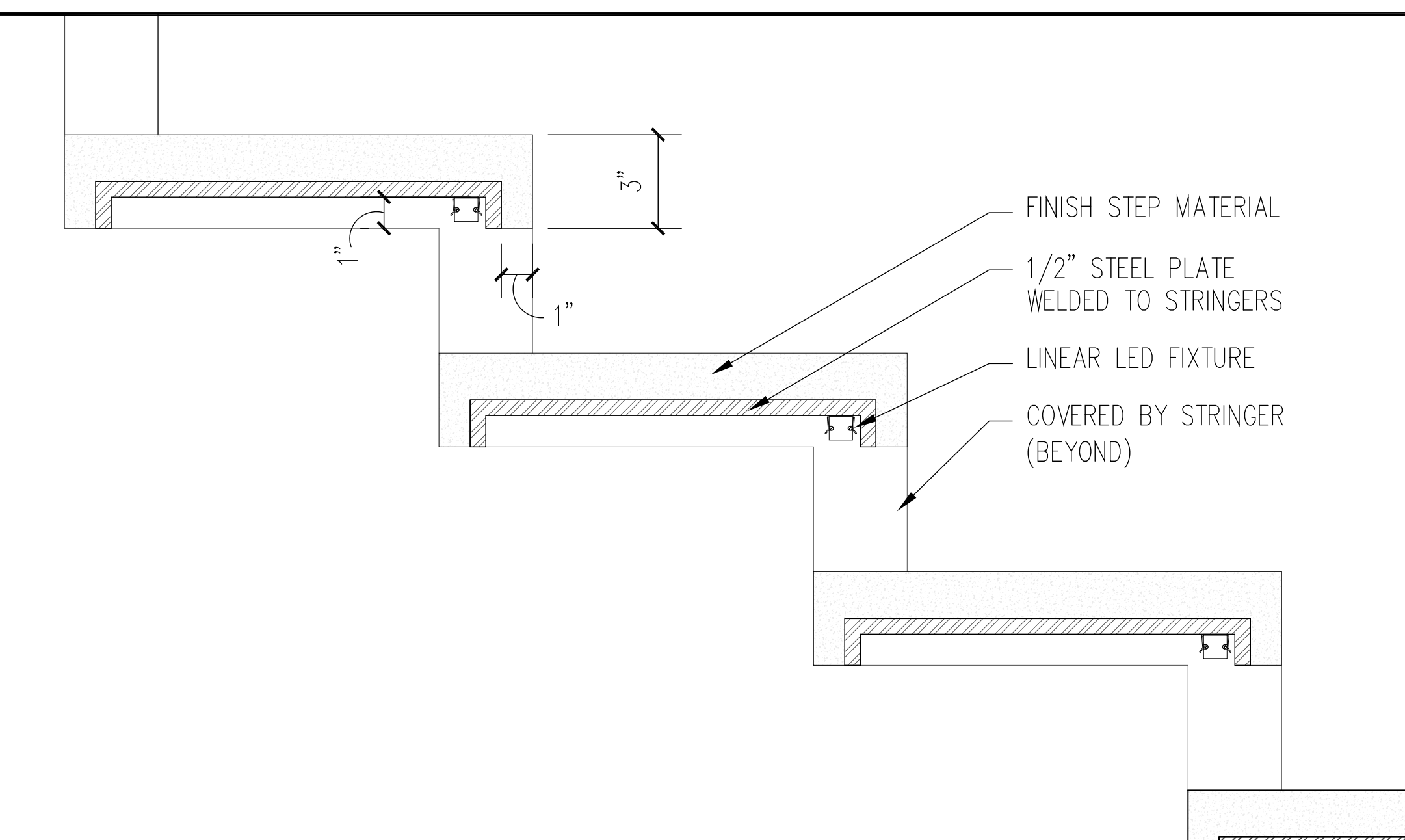
**6** FLOOR LIGHT POCKET  
SCALE: 3" = 1'-0"



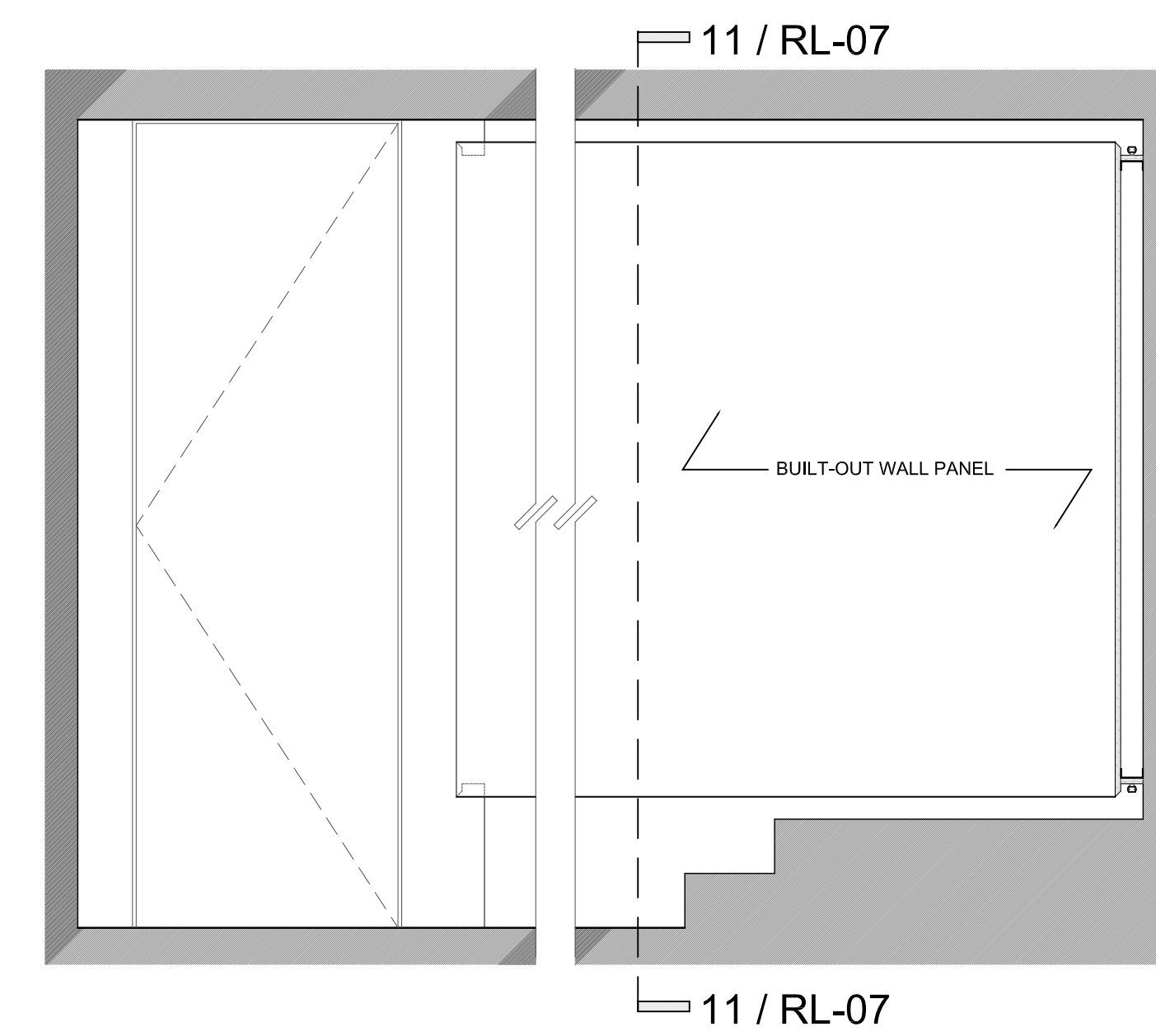
**7** LIT VANITY MIRROR  
SCALE: 3" = 1'-0"



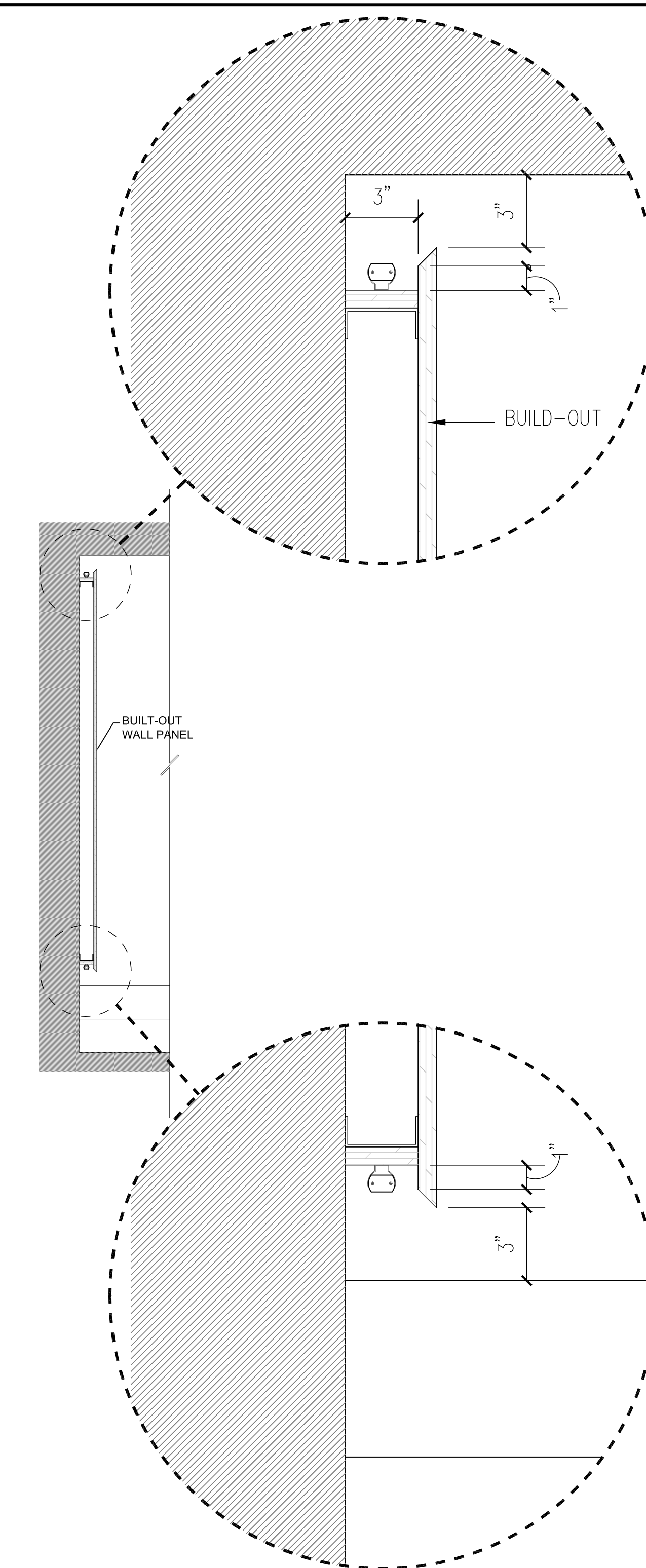
**8** UNDERCABINET LIGHTING  
SCALE: 3" = 1'-0"  
@ KITCHEN, PANTRY, LAUNDRY



**9** EXTERIOR LIT STEPS  
SCALE: 3" = 1'-0"



**10** THEATRE WALL ELEVATION  
SCALE: 1/4" = 1'-0"



**11** THEATRE WALL SECTION DETAIL  
SCALE: 3" = 1'-0"

REVISIONS:  
1-1-18

DRAWING TITLE:  
RL-07

SHEET NO.

PLATE 7  
OF 7

**Radiance**  
LIGHTING

710 MICHIGAN #2, MIAMI BEACH, FL 33139  
ph 305-535-9768 fax 305-535-6108